

***ME* DISPLAYS**

SPECIFICATIONS

FOR

LCD MODULE

SG24064A

MICRO ELECTRONICS CORPORATION

3375 Scott Blvd. Suite 222 Santa Clara CA 95054

Tel: 408-988-1101 Fax: 408-988-7626

Email: micro@microelect.com

Http://www.microelect.com

• FEATURES

Number of Dots	240 x 64
Built-in Controller IC	T6963C or equivalent
Duty Cycle	1/64 Duty
Power Supply	5V
Backlight Options	Edge Lighting Type LED, Edge Lighting CCFL

• MECHANICAL PARAMETERS

Module Size	180.0W x 65.0H x 9.7 mm
Viewing Area Size	134.0W x 40.4H mm
Active Area Size	127.16W x 33.88H mm
Dot Size	0.49 x 0.49 mm
Dot Pitch	0.53 x 0.53 mm

• ABSOLUTE MAXIMUM

Item	Symbol	Min.	Max	Unit
Supply Voltage for Logic	$V_{DD} - V_{SS}$	0	+7.0	V
Supply Voltage for LCD Drive	$V_{DD} - V_O$	0	+21.0	V
Input Voltage	V_i	V_{SS}	V_{DD}	V
Operating Temperature	T_a	0	+50	C
Storage Temperature	T_{stg}	-10	+60	C

• ELECTRICAL CHARACTERISTICS

Item	Symbol	Condition	Min	Typ	Max	U
Power Supply Voltage for Logic	$V_{DD} - V_{SS}$	--	4.5	5.0	5.5	V
Power Supply Voltage for LCD	$V_{DD} - V_O$	$V_{DD}=5V$ $T_a=25C$	10.8	12.2	13.1	V
Input "High" Voltage(1)	V_{ih}	--	2.2	--	V_{DD}	V
Input "Low" Voltage(1)	V_{il}	--	--	--	0.6	V
Output "High" Voltage(1)	V_{oh}	--	2.4	--	--	V
Output "Low" Voltage(1)	V_{ol}	--	--	--	0.4	V
Power Supply Current	I_{DD}	$V_{DD} = 5.0V$	--	12	23	mA

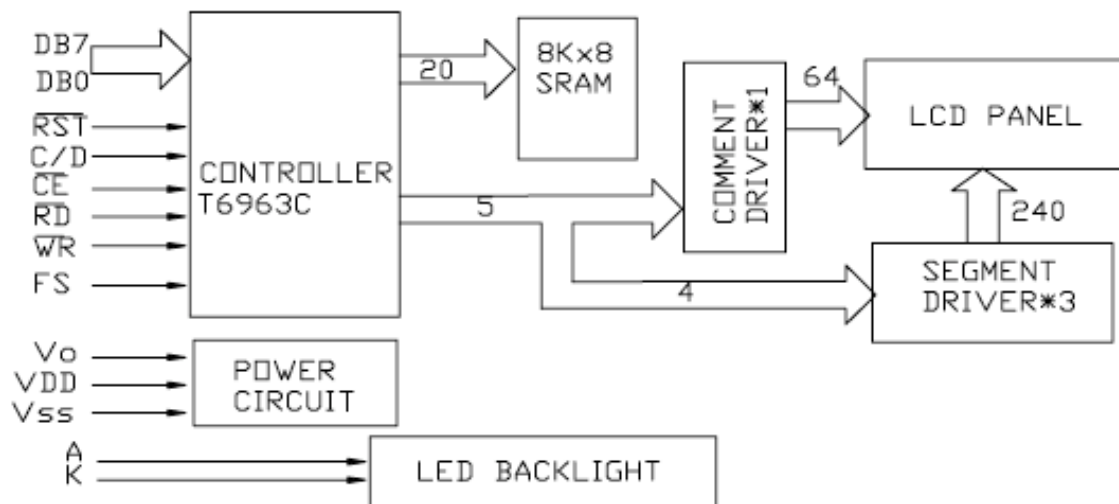
(1) Applied to terminals CS1, CS2, DB0~DB7, R/W, D/I, E RST

• PIN ASSIGNMENT

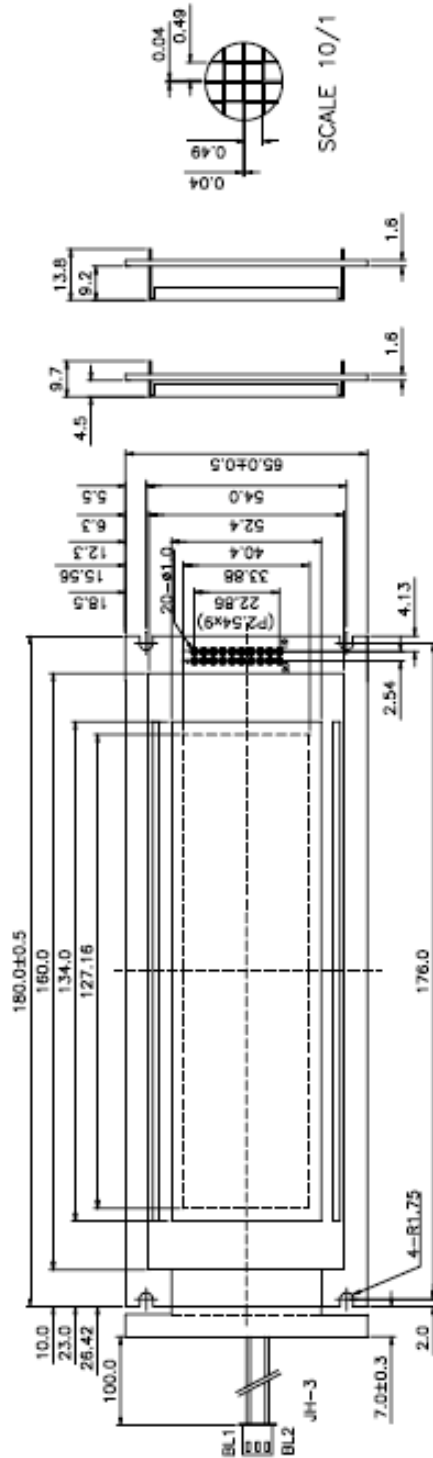
No.	Symbol
1	FGND
2	V _{SS}
3	V _{DD}
4	V _O
5	/WR
6	/RD
7	/CE
8	C/D
9	NC
10	/RST

No.	Symbol
11	DB0
12	DB1
13	DB2
14	DB3
15	DB4
16	DB5
17	DB6
18	DB7
19	FS
20	NC

• BLOCK DIAGRAM



- DIAGRAM SG24064A



• **TIMING CHARACTERISTICS**

Item	Symbol	Min	Max	Unit
C/D Setup Time	t_{CDS}	100	--	ns
C/D Hold Time	t_{CDH}	10	--	ns
CE, RD WR Pulse Width	t_{CE}, t_{RD}, t_{WR}	80	--	ns
Data Setup Time	t_{DS}	80	--	ns
Data Hold Time	t_{DH}	40	--	ns
Access Time	t_{ACC}	--	150	ns
Output Hold Time	t_{OH}	10	50	ns

• **TIMING DIAGRAMS**

